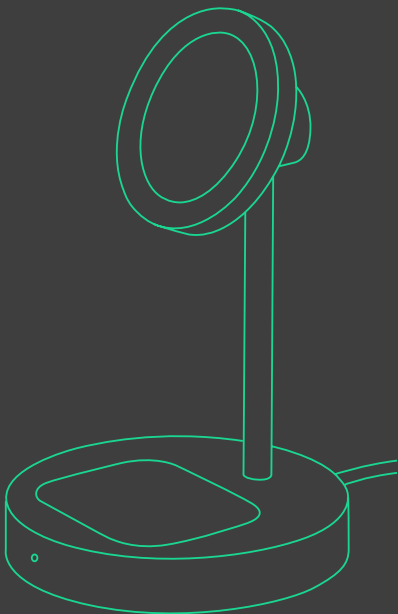


**Velox™**

# Magnetic Wireless Charging Duo Stand

User Manual



# Velox™

## Magnetic Wireless Charging Duo Stand

User Manual

	English .....	04
	French .....	10
	Italian .....	16
	German .....	22
	Spanish .....	28

## Index

For optimal charging, please follow the detailed instructions within this manual when using the Velox Magnetic Wireless Charging Duo Stand.

### 01 Product Information

At a Glance

Device Compatibility

Product Specifications

### 02 Setting Up the Velox Duo Stand

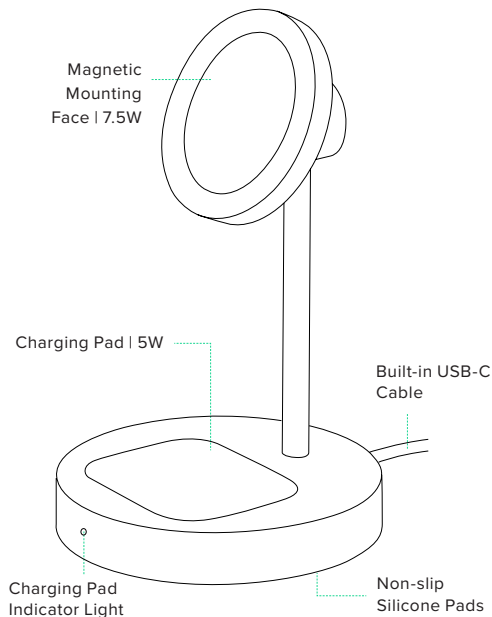
Connecting to Power

Charging Your iPhone

Charging Your Qi-Enabled Device

## 01 Product Information

### At a Glance

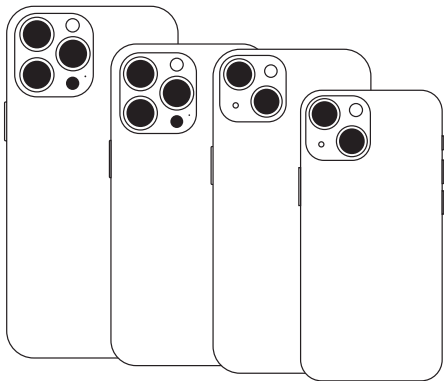


\*USB-C wall charger not included.



## Device Compatibility

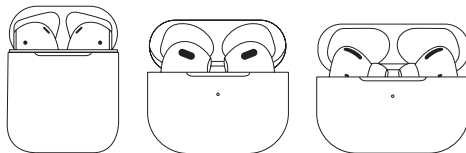
The magnetic mounting face is designed for use with MagSafe compatible iPhones and cases. Compatible devices include the iPhone 13, iPhone 13 mini, iPhone 13 Pro, iPhone 13 Pro Max, and the iPhone 12 series.



iPhone 13 Pro Max & 13 Pro

iPhone 13 & 13 Mini

The wireless charging pad is designed for use with AirPods, other wireless earbuds, or Qi-enabled accessories.



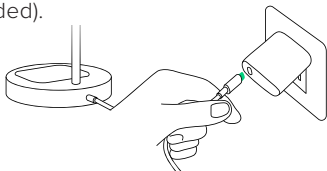
## Product Specifications

Item	Specification
Input	DC 5V3A \ 9V2A
Output	5W, 7.5W
Cable Length	5'
Stand Length	3.75"
Width	3.75"
Height	5.96"
Weight	10.58 oz

## 02 Setting Up the Velox Duo Stand

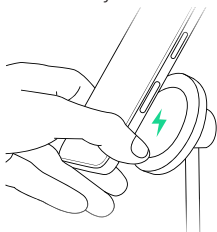
### Connecting to Power

Simply plug the built-in USB-C cable into a power source, or a USB-C adapter (not included).



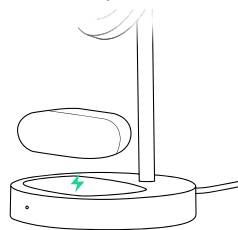
### Charging Your iPhone

Place your MagSafe compatible iPhone on the magnetic mounting face. Your iPhone will be held in perfect alignment and wireless charging will begin automatically.



### Charging Your Qi-Enabled Device

Place your AirPods or other Qi-enabled device on the built-in charging pad. Wireless charging will begin automatically.



Note: When Qi-enabled devices are accurately aligned and charging, the LED indicator light will turn on.

## Indice

Pour une charge optimale, veuillez suivre les instructions détaillées de ce manuel lorsque vous utilisez le support duo de charge magnétique sans fil Velox.

### 01 Informations du produit

Aperçu

Compatibilité de l'appareil

Caractéristiques du produit

### 02 Configuration du support Velox Duo

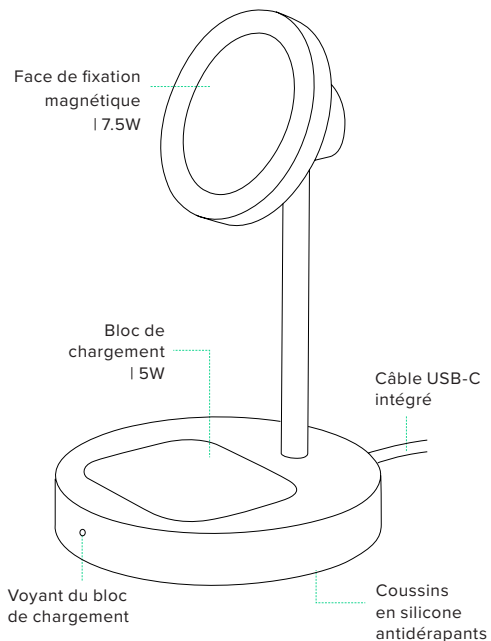
Connexion à l'alimentation

Chargement de votre iPhone

Chargement de votre appareil compatible Qi

## 01 Informations du produit

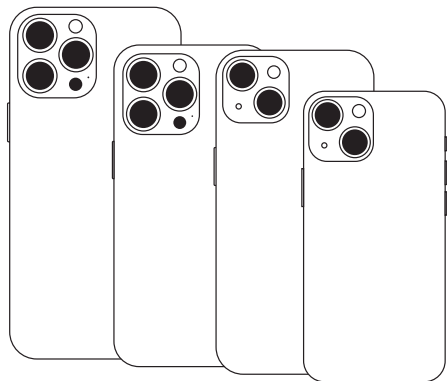
### Aperçu



\*Chargeur mural USB-C non inclus.

## Compatibilité de l'appareil

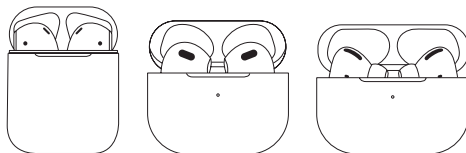
La face de fixation magnétique est conçue pour être utilisée avec les iPhones et étuis compatibles MagSafe. Les appareils compatibles incluent les séries de l'iPhone 13, l'iPhone 13 mini, l'iPhone 13 Pro, l'iPhone 13 Pro Max et l'iPhone 12.



iPhone 13 Pro Max & 13 Pro

iPhone 13 & 13 Mini

Le bloc de chargement sans fil est conçu pour être utilisé avec des AirPods, d'autres écouteurs sans fil ou des accessoires compatibles Qi.



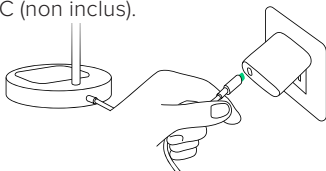
## Caractéristiques du produit

Article	Caractéristique
Entrée	DC 5V3A \ 9V2A
Sortie	5W, 7,5W
Longueur du câble	152,4 cm
Longueur du support	9,53 cm
Largeur	9,53 cm
Hauteur	15,14 cm
Poids	300 g

## 02 Configuration du support Velox Duo

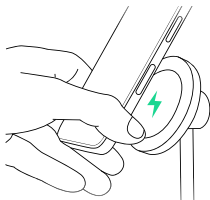
### Connexion à l'alimentation

Branchez simplement le câble USB-C intégré à une source d'alimentation ou à un adaptateur USB-C (non inclus).



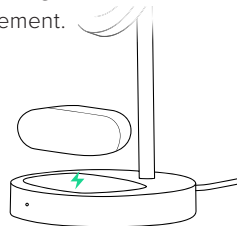
### Chargement de votre iPhone

Placez votre iPhone compatible MagSafe sur la face de fixation magnétique. Votre iPhone sera maintenu dans un alignement parfait et la recharge sans fil commencera automatiquement.



### Chargement de votre appareil compatible Qi

Placez vos AirPods ou tout autre appareil compatible Qi sur le bloc de chargement intégré. Le chargement sans fil démarre automatiquement.



Remarque : lorsque les appareils compatibles Qi sont alignés avec précision et se chargent, le voyant LED s'allumera.



## Indice

Per una ricarica ottimale, seguire le istruzioni dettagliate di questo manuale di Velox Magnetic Wireless Charging Duo Stand.

### 01 Informazioni del prodotto

#### A Prima Vista

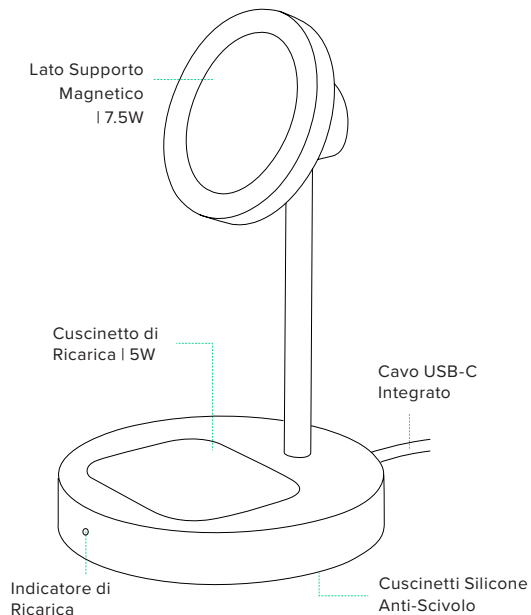
Compatibilità del dispositivo  
Specifiche del prodotto

### 02 Configurazione Velox Duo Stand

Collegamento all'alimentazione  
Ricarica del vostro iPhone  
Ricarica del vostro dispositivo  
abilitato Qi

## 01 Informazioni del prodotto

### A Prima Vista

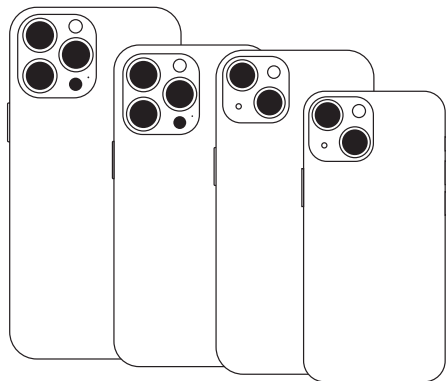


\*Ricarica a muro USB-C non inclusa.



## Compatibilità Dispositivo

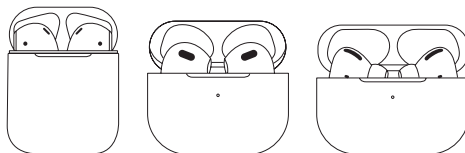
Il Supporto Magnetico è progettato per l'uso con iPhone compatibili MagSafe e custodie. Dispositivi compatibili includono gli iPhone 13, iPhone 13 mini, iPhone 13 Pro, iPhone 13 Pro Max, e gli iPhone serie 12.



iPhone 13 Pro Max & 13 Pro

iPhone 13 & 13 Mini

Il cuscinetto di ricarica wireless è progettato per l'uso con AirPods, altri auricolari wireless, o accessori abilitati Qi.



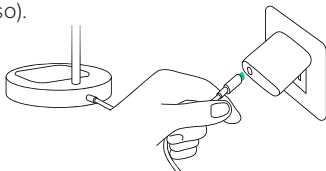
## Specifiche del prodotto

Descrizione	Specifiche
Input	DC 5V3A \ 9V2A
Output	5W, 7,5W
Lunghezza Cavo	152,4 cm
Lunghezza Stand	9,53 cm
Larghezza	9,53 cm
Altezza	15,14 cm
Peso	300 g

## 02 Configurazione Velox Duo Stand

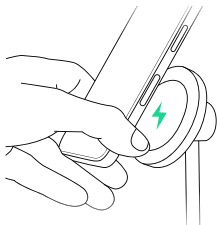
### Collegamento all'alimentazione

Connettere il cavo USB-C integrato alla fonte di energia, o ad un adattatore USB-C (non incluso).



### Ricarica del vostro iPhone

Poggiare il vostro iPhone compatibile MagSafe sul lato supporto magnetico. Il vostro iPhone sarà perfettamente allineato e la ricarica wireless comincerà automaticamente.



### Ricarica del vostro dispositivo abilitato Qi

Poggiare i vostri AirPods o altri dispositivi abilitati Qi sul cuscinetto integrato di ricarica. La ricarica wireless comincerà automaticamente.



Nota: Quando dispositivi abilitati Qi sono debitamente allineati e in carica, l'indicatore LED si accende.

## Index

Für ein optimales Aufladen folgen Sie bei Verwendung des magnetischen kabellosen VeloxDoppelladestands bitte den detaillierten Anweisungen in dieser Anleitung.

### 01 Produktinformationen

Auf einen Blick  
Kompatibilität der Geräte  
Produktspezifikationen

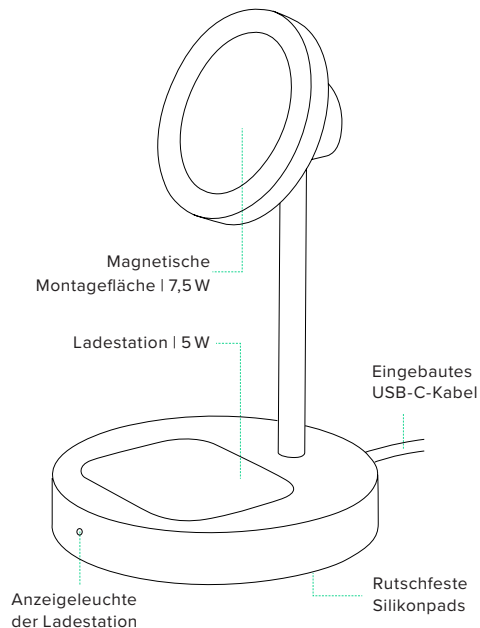
### 02 Einrichten des Velox-Doppelladestands

Anschließen an die Stromversorgung  
Aufladen Ihres iPhone  
Aufladen Ihres Qi-fähigen Geräts



## 01 Produktinformationen

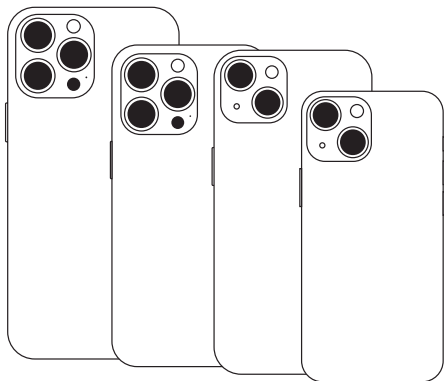
### Auf einen Blick



\*USB-C-Wandladegerät nicht enthalten.

## Kompatibilität der Geräte

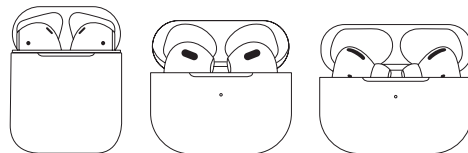
Die magnetische Befestigungsfläche ist für die Verwendung mit MagSafe-kompatiblen iPhones und Hüllen vorgesehen. Zu den kompatiblen Geräten gehören das iPhone 13, iPhone 13 mini, iPhone 13 Pro, iPhone 13 Pro Max und die iPhone 12 Serie.



iPhone 13 Pro Max & 13 Pro

iPhone 13 & 13 Mini

Das kabellose Ladepad ist für die Verwendung mit AirPods, anderen kabellosen Ohrhörern oder Qi-fähigem Zubehör vorgesehen.



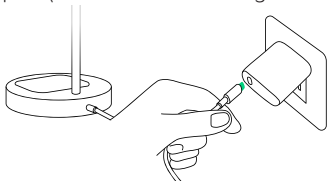
## Produktspezifikationen

Daten	Spezifikation
Eingabe	Gleichstrom 5V3A \ 9V2A
Ausgabe	5W, 7,5W
Kabellänge	152,4 cm
Standlänge	9,53 cm
Breite	9,53 cm
Höhe	15,14 cm
Gewicht	300 g

## 02 Einrichten des Velox-Doppelladestands

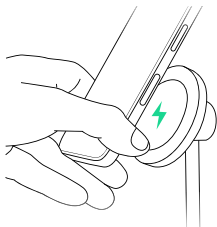
### Anschließen an die Stromversorgung

Schließen Sie einfach das integrierte USB-C-Kabel an eine Stromquelle oder einen USB-C-Adapter (nicht im Lieferumfang enthalten) an.



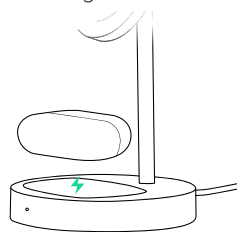
### Aufladen Ihres iPhone

Legen Sie Ihr MagSafe-kompatibles iPhone auf die magnetische Befestigungsfläche. Ihr iPhone wird perfekt ausgerichtet und das kabellose Laden beginnt automatisch.



### Aufladen Ihres Qi-fähigen Geräts

Legen Sie Ihre AirPods oder ein anderes Qi-fähiges Gerät auf das integrierte Ladepad. Das kabellose Laden beginnt automatisch.



Hinweis: Wenn Qi-fähige Geräte korrekt ausgerichtet sind und geladen werden, leuchtet die LED-Anzeige auf.

## Índice

Para una carga óptima, siga las instrucciones detalladas en este manual al usar el Soporte Dual de Carga Magnético Inalámbrico de Velox.

## 01 Información del producto

### A simple vista

#### 01 Información del producto

A simple vista

Compatibilidad de dispositivos

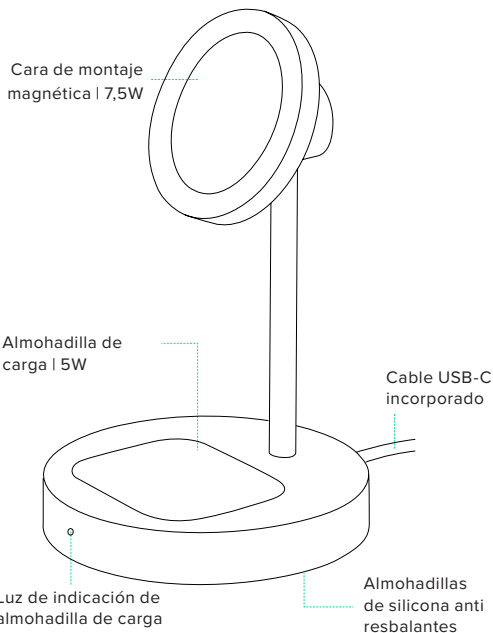
Especificaciones del producto

#### 02 Instalación del Soporte Velox Duo

Conectar a la corriente eléctrica

Cargar su iPhone

Cargar su dispositivo habilitado con Qi

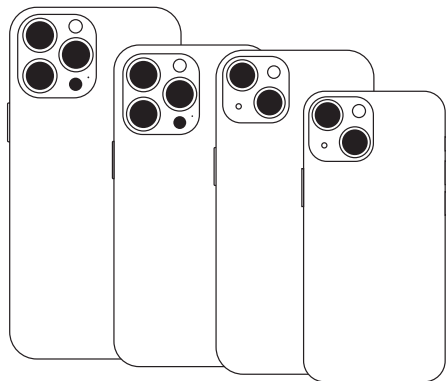


\*Adaptador USB-C no incluido.



## Dispositivos compatibles

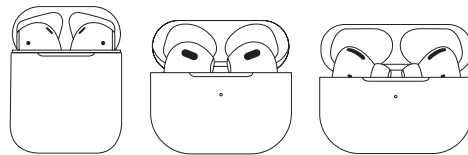
La cara de montaje magnética está diseñada para ser usada con iPhones y fundas compatibles con MagSafe. Los dispositivos compatibles incluyen las series de iPhone 13, iPhone 13 mini, iPhone 13 Pro, iPhone 13 Pro Max, y iPhone 12.



iPhone 13 Pro Max & 13 Pro

iPhone 13 & 13 Mini

La almohadilla de carga inalámbrica está diseñada para ser usada con AirPods, otros auriculares inalámbricos o accesorios habilitados con Qi.



## Especificaciones del producto

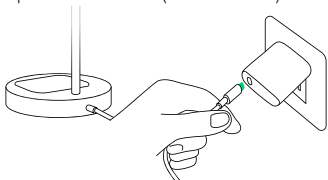
Elemento	Especificación
Entrada	DC 5V3A \ 9V2A
Salida	5W, 7,5W
Longitud del cable	152,4 cm
Longitud del soporte	9,53 cm
Ancho	9,53 cm
Altura	15,14 cm
Peso	300 g



## 02 Instalación del Soporte Velox Duo

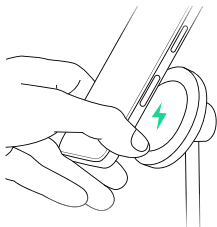
### Conectar a la corriente eléctrica

Simplemente enchufe el cable USB-C incorporado a una fuente de alimentación, o a un adaptador USB-C (no incluido).



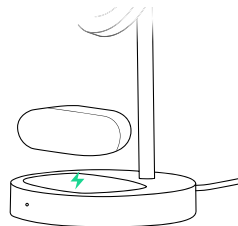
### Cargando su iPhone

Coloque su iPhone compatible con MagSafe sobre la cara de montaje magnética. Su iPhone será alineado perfectamente y la carga inalámbrica comenzará de forma automática.



### Cargando su dispositivo habilitado con Qi

Coloque sus AirPods u otro dispositivo habilitado con Qi sobre la almohadilla de carga incorporada. La carga inalámbrica comenzará de forma automática.



Nota: Cuando los dispositivos habilitados con Qi estén alineados y cargándose adecuadamente, la luz indicadora LED se encenderá.

## Operation Warnings

NOTE: This equipment has been tested and found to comply with the limits for a Class B digital device, pursuant to part 15 of the FCC Rules. These limits are designed to provide reasonable protection against harmful interference in a residential installation. This equipment generates uses and can radiate radio frequency energy and, if not installed and used in accordance with the instructions, may cause harmful interference to radio communications. However, there is no guarantee that interference will not occur in a particular installation. If this equipment does cause harmful interference to radio or television reception, which can be determined by turning the equipment off and on, the user is encouraged to try to correct the interference by one or more of the following measures:

- Reorient or relocate the receiving antenna.
- Increase the separation between the equipment and receiver.
- Connect the equipment into an outlet on a circuit different from that to which the receiver is connected.
- Consult the dealer or an experienced radio/TV technician for help

Changes or modifications not expressly approved by the party responsible for compliance could void the user's authority to operate the equipment.

This device complies with Part 15 of the FCC Rules. Operation is subject to the following two conditions:

- (1) this device may not cause harmful interference, and (2) this device must accept any interference received, including interference that may cause undesired operation.

RF Exposure Warning Statements:

This equipment complies with FCC radiation exposure limits set

forth for an uncontrolled environment. This equipment shall be installed and operated with minimum distance 20cm between the radiator & body.

This device contains licence-exempt transmitter(s)/receiver(s) that comply with Innovation, Science and Economic Development Canada's licence-exempt RSS(s). Operation is subject to the following two conditions:

- (1) This device may not cause interference.
- (2) This device must accept any interference, including interference that may cause undesired operation of the device.

L'émetteur/récepteur exempt de licence contenu dans le présent appareil est conforme aux CNR d'Innovation, Sciences et Développement économique Canada applicables aux appareils radio exempts de licence. L'exploitation est autorisée aux deux conditions suivantes :

- (1) L' appareil ne doit pas produire de brouillage;
- (2) L' appareil doit accepter tout brouillage radioélectrique subi, même si le brouillage est susceptible d' en compromettre le fonctionnement.

Radio Frequency Exposure Statement for IC

This equipment complies with IC exposure limits set forth for an uncontrolled environment. This equipment shall be installed and operated with minimum distance 20cm between the radiator & body.

Cet équipement est conforme aux limites d'exposition IC définies pour un environnement non contrôlé. Cet équipement doit être installé et utilisé avec une distance minimale de 20cm entre le radiateur et la carrosserie.

## Important Safety Information

This manual contains important safety and operating instructions for the Velox™ Magnetic Wireless Charging Duo Stand (MGSFIO202).

Please read all instructions and safety information before using this product. If damage occurs as a result of failure to follow the instructions, the warranty will be voided.

- Do not expose to rain, moisture, or snow.
- Do not operate this magnetic wireless charging stand if it has received a sharp blow, been dropped, or otherwise damaged in any way; take it to a qualified service person.
- Do not disassemble this magnetic wireless charging stand; take it to a qualified service person when service or repair is required. Incorrect reassembly may result in electric shock or fire.
- To reduce the risk of electric shock, unplug the device before attempting any maintenance or cleaning.
- Avoid extended exposure to direct sunlight, which may damage the device.
- Exposing this product to open flames may cause it to explode.
- Do not expose this product to strong magnetic fields.
- Use a dry, soft lint-free cloth to clean. Do not use any corrosive cleaner or oil to clean.



This product complies with the radio interference requirements of the European Community.



This product is designed and manufactured with high quality materials and components, which can be recycled and reused.



The product must not be discarded as household waste, and should be delivered to an appropriate collection facility for recycling. Proper disposal and recycling helps protect natural resources, human health and the environment. For more information on disposal and recycling of this product, contact your local municipality, disposal service, or the shop you bought this product.

Designed in New York City. 20 W 37th St, New York, NY 10018.  
Made in China. U.S. Patent Pending ©2021 iOttie. All rights reserved. iOttie and Velox are registered trademarks owned by iOttie, Inc. John 3:16

Apple, the Apple logo, iPhone, iPod, iPod touch, Mac, macOS, MagSafe and Siri are trademarks of Apple Inc., registered in the U.S. and other countries.



The Velox Magnetic Wireless Charging Duo Stand is backed by a 2 year warranty.

**iottie**

**MagSafe Compatible**

Only compatible with MagSafe iPhone series and cases.